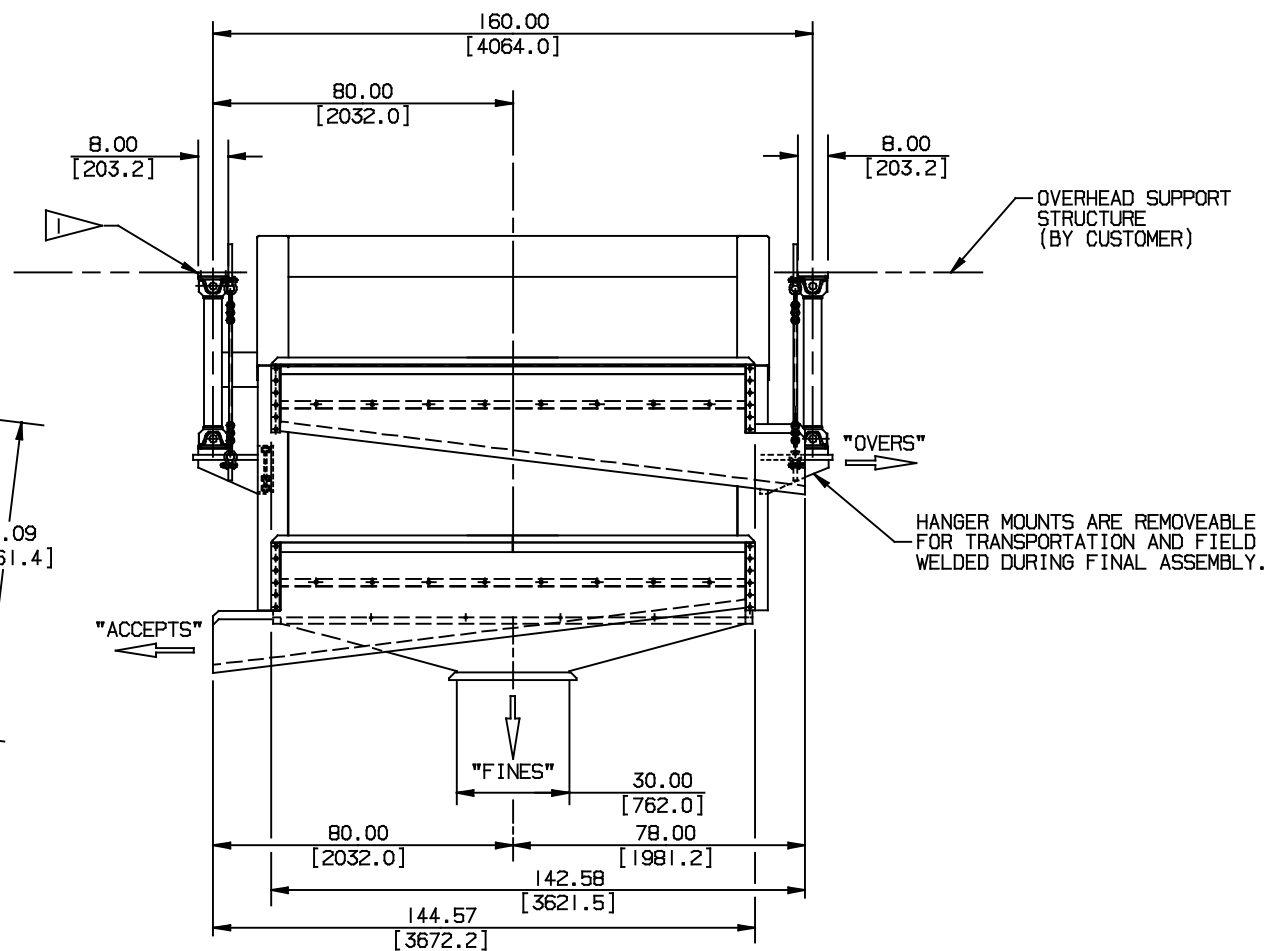
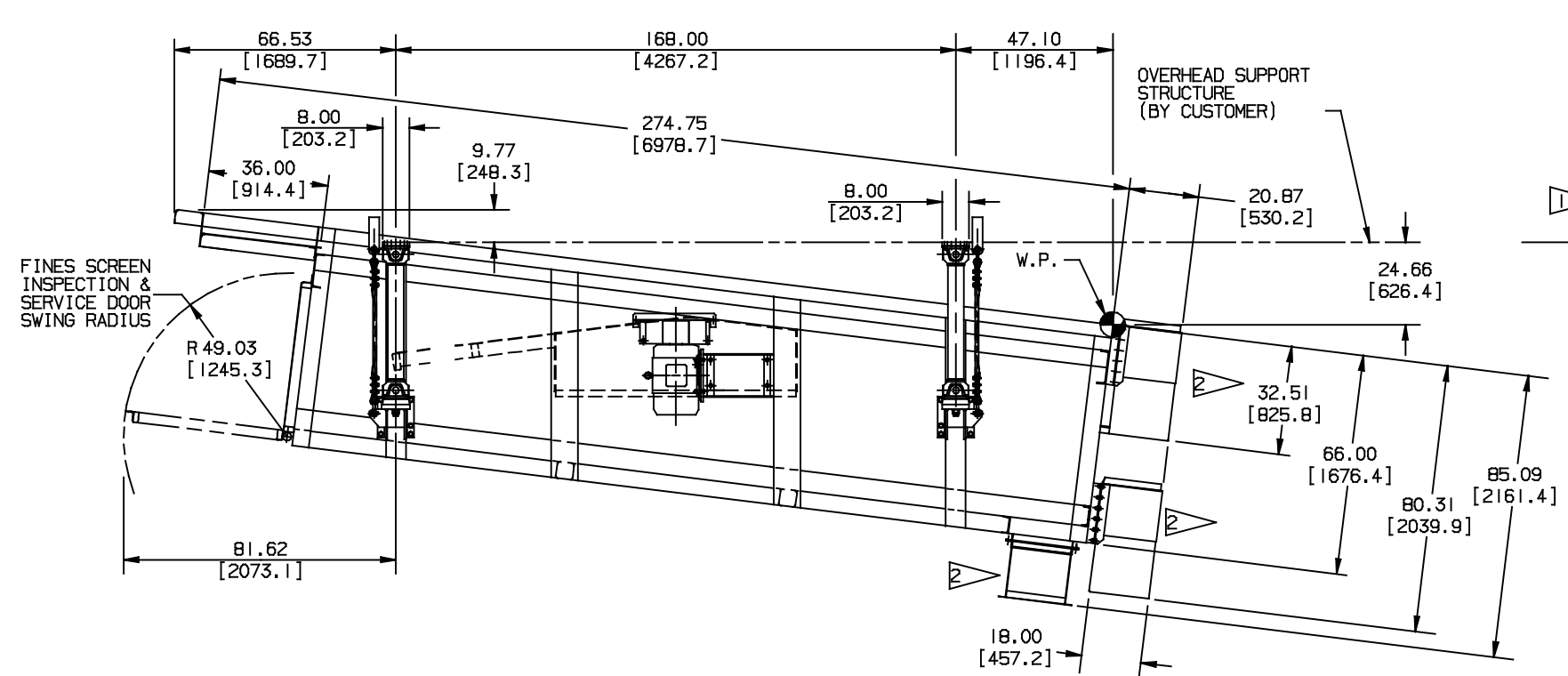


NOTES:

- WELD HANGER MOUNTING PLATE AND SAFETY STRAPS UPPER BRACKET TO CUSTOMER'S OVERHEAD SUPPORT. .50 FILET WELD ALL AROUND (4 PLACES).
- DISCHARGE CHUTES SHOWN FOR REFERENCE ONLY. SEE SEPERATE DISCHARGE CHUTE ASSEMBLY.
- PROVIDE 8.0" [203 MM] HORIZONTAL CLEARANCE BETWEEN SUSPENDED SCREEN BOX AND STATIONARY OBJECTS
- DESIGN LOADS: HORIZONTAL = 5% OF TOTAL MACHINE WEIGHT
VERTICAL = 2 X MACHINE WEIGHT + CHIP LOAD
- PROVIDE FLEXIBLE LEAD TO MOTOR J-BOX

MACHINE WEIGHT = 18,000 LBS
[8,182 KG]
MOTOR: 20 HORSEPOWER [15.1 KW]



CLASS CODE: 39013 FIRST USED ON JOB: N6506

ECN NO	REV	BY	DATE	DESCRIPTION	CHK	APP	DISTR
--------	-----	----	------	-------------	-----	-----	-------

USED ON:	INSTL, 10' X 20' RH CHIP SCREEN, LH/RH/C CHUTES	SCALE 1/2"=1'-0"
EST.FIN.WT.		REV
BY J. KELSO		
DATE 6-21-94		
SHEET 1 OF 1	D44728	